



Electrical and Computer Engineering Department

Circuit Analysis (ENEE 2304)



PSPICE Assignment

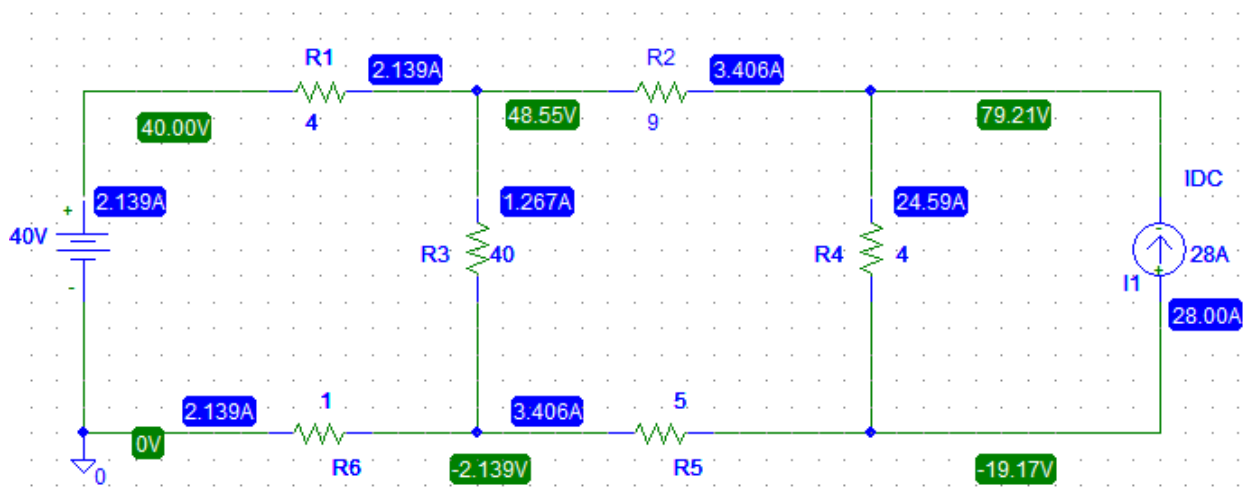
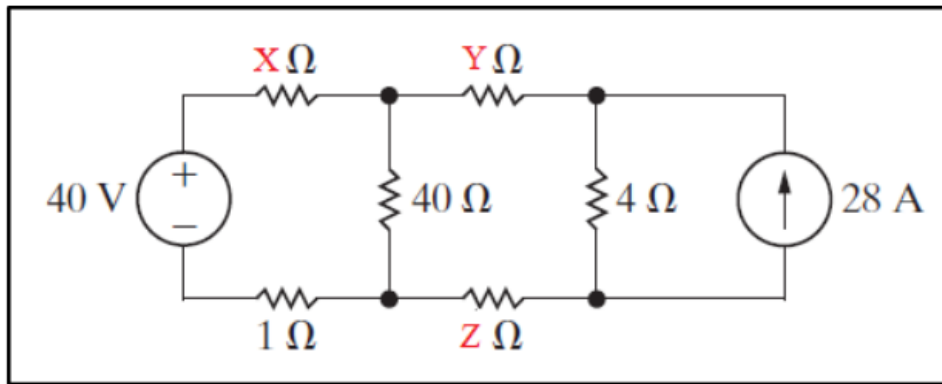
Name: Huda J. AbuZayed

Student No: 1192495

Instructor: Dr. Qadri Mayyala

Question 1:

- a) Construct a PSPICE schematic for the circuit shown in Figure 1.
- b) Simulate the schematic and show voltages at each node and current in each branch.



Question 2:

- Construct a PSPICE schematic for the circuit shown in Figure 2.
- Simulate the schematic and use markers to plot $V_o(t)$.

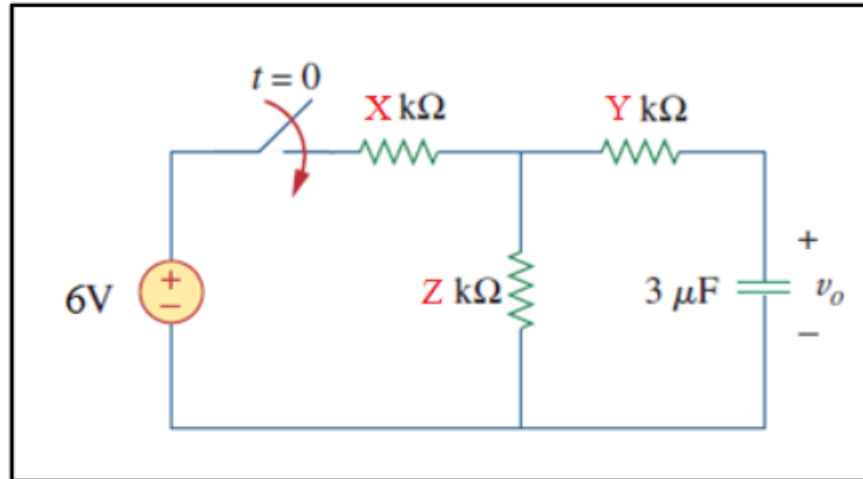


Figure 2

